

Any Weather / Long Distance / Plug-N-Play



SENTINEL-IR

MOTO-DOME

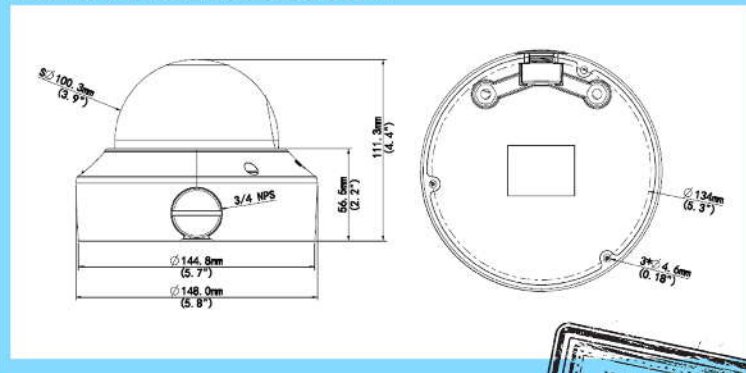


2MP Infrared IP Camera with Motorized Lens

Features

- 820 Feet Video/Audio/Power over normal Cat5e (Exclusive Enviro Cams Extended Mode)
- IP67 Weatherproof – Indoor or Outdoor
- Wide Temperature Rating: -40° below to +140° F
- WDR (Sony's 120dB Wide Dynamic Range)
- Large 1/3" Progressive Scan CMOS Chip for better light gathering ability
- 2 Megapixel Resolution (1920x1080 max) – H.264/H.265/MJPEG options - Triple Stream capable
- Motorized 2.8mm to 12mm Varifocal Auto-Focus Megapixel Lens
- Optically Clear Glass front protecting the lens
- Up to 100' Infrared Illumination with Intensity-Controlled Smart IR's
- Narrow View Hallway Mode Menu option (9:16 ratio)
- Supports POE and/or 12V DC (will fail-over to 12V if POE is lost) w/ wide voltage range of + or - 25%
- Optional Onboard Micro SD Card for stand-alone or POE loss Recording – with Automatic Download to NVR when POE is restored
- 2D and 3D Digital Noise Reduction options

Dimensions



We guarantee at least 820' for Power & Video



201 N. Elm St.
Kemp, TX 75143



866-264-0041
sales@envirocams.com

Not Your Father's IP Cameras

Any Weather / Long Distance / Plug-N-Play

Sentinel-IR Specifications



Camera	
Sensor	1/3", 2 megapixel, progressive scan CMOS
Lens	2.8~12 mm Varifocal Zoom Lens
Iris	Auto/Manual, F1.6
Shutter	Auto/Manual, 1/6s ~ 1/8000s
Min. Illumination	Colour: 0.02 Lux (F1.6, AGC ON) / 0 with IR on
IR Range	100 ft IR range
Day/Night	IR-cut filter with auto switch (ICR)
S/N	>52dB
WDR	Optical WDR (up to 120 dB)
Noise Reduction	2D/3D
Video	
Max. Resolution	1920x1080
Video Compression	H.265, H.264, MJPEG
Frame Rate	1080P (1920x1080): Max. 30 fps, 1080P (1920x1080): Max. 25 fps
9:16 Corridor Mode	Supported
Video Streaming	Triple
Region Of Interest	Supported
OSD	Up to 8 OSDs
Privacy Mask	Supported
Smart	
Behavior Detection	Intrusion, crossing line, motion detection
Exception Detection	Audio Detection
Intelligent Identification	Face detection
Statistical Analysis	People counting
Audio	
Audio Compression	G.711
Two-way Audio	Supported

Storage	
Edge Storage	Micro SD, up to 128 GB
Network	
Protocols	L2TP, IPv4, IGMP, ICMP, ARP, TCP, UDP, DHCP, PPPoE, RTP, RTSP, RTCP, DNS, DDNS, NTP, FTP, UPnP, HTTP, HTTPS, SMTP, SIP, 802.1x
Compatible Integration	ONVIF,API
Interface	
Audio I/O	3.5mm connector / 2/1 / Input: impedance 35kΩ; amplitude 2 V [p-p] / Output: impedance 600Ω; amplitude 2 V [p-p]
Network	10M/100M Base-TX Ethernet
Reset	1 Reset Button
General	
Power	12 V DC, or PoE (IEEE802.3 af) Power consumption: Max 7.2W
Dimensions (Ø x H)	5.8"x4.4"
Weight	1.7lb
Working Environment	-40°C ~ +60°C (-40°F ~ 140°F), Humidity ≤ 95% RH(non-condensing)
Vandal Resistant	IK10
Ingress Protection	IP67

Optional Mounts Available



Wall Mount

Pole Mount Available For Wall mount



Direct Mount To Wall

Unequaled Product Testing

-  QUALITY
-  RELIABILITY
-  DISTANCE
-  ENVIRONMENT

Customer Focused, Quality Driven!!



Dealer Info



201 N. Elm St.
Kemp, TX 75143



866-264-0041
sales@envirocams.com

Not Your Father's IP Cameras