

Any Weather / Long Distance / Plug-N-Play



# Spectrum-22

PTZ-DOME

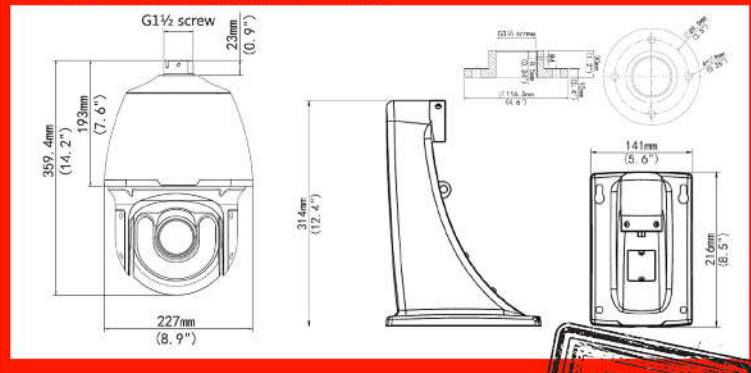


2MP IR/WL/Starlight IP PTZ Camera with 22x Motorized Lens

## Features

- 820 Feet Video/Audio over normal Cat5e (Exclusive Enviro Cams Extended Mode)
- Full 360° Pan, auto reversing Tilt, motorized 22x Zoom and 256 presets savable
- IP66 Weatherproof – Outdoor
- Wide Temperature Rating: -40° below to +158° F
- WDR (Sony's 120dB Wide Dynamic Range)
- Large 1/1.9" Progressive Scan CMOS Chip for better light gathering ability
- 2 Megapixel Resolution (1920x1080 max) – H.264/H.265/MJPEG options - Triple Stream capable
- Motorized 6.5-143mm Varifocal Auto-Focus 22x Optical Megapixel Zoom Lens
- Up to 490' Infrared Illumination with Intensity-Controlled Smart IR's / WL up to 100'
- Optical glass window with higher light transmittance
- Audio and Alarm Interfaces standard
- 24V AC 3amp power supply provided with every camera
- Optional Onboard Micro SD Card for stand-alone or POE loss Recording – with Automatic Download to NVR when POE is restored
- Long Arm Wall Mount and Flush Pendant Mount both provided standard

## Dimensions



We guarantee at least 820' for Video & Audio



201 N. Elm St.  
Kemp, TX 75143



866-264-0041  
sales@envirocams.com

Not Your Father's IP Cameras

# Spectrum-22 Specifications



Camera	
Sensor	1/1.9", 2megapixel, progressive scan, CMOS
Lens	6.5 ~ 143mm (22x optical zoom)
Angle of View (H)	70° (wide) ~ 3.76° (tele)
Iris	Auto/Manual; F1.5 ~ F3.4
Shutter	Auto/Manual, 1/6s ~ 1/8000s
Min. Illumination	Colour: 0.001 Lux (F1.5 AGC ON) / 0 Lux with IR
Day/Night	IR-cut filter with auto switch (ICR)
S/N	>52dB
WDR	120 dB

Video	
Max. Resolution	1920x1080
Video Compression	H.265, H.264, MJPEG
Frame Rate	1080P (1920x1080):Max.60 fps; 720P (1280x720):Max.60 fps; D1 (720x576):Max.25 fps
Video Streaming	Triple
OSD	Up to 8 OSDs
Privacy Mask	Up to 4 areas
Digital Zoom	Supported

Smart	
Behavior Detection	Intrusion, crossing line, motion detection
Exception Detection	Audio Detection
Intelligent Identification	Face detection
Statistical Analysis	People counting

Audio	
Audio Compression	G.711
Two-way Audio	Supported

Storage	
Edge Storage	Micro SD, up to 128 GB

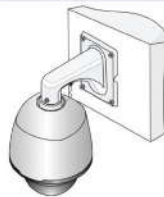
Network	
Protocols	L2TP, IPv4, IGMP, ICMP, ARP, TCP, UDP, DHCP, PPPoE, RTP, RTSP, RTCP, DNS, DDNS, NTP, FTP, UPnP, HTTP, HTTPS, SMTP, SIP, 802.1x
Compatible Integration	ONVIF,API

Structure	
Pan Range	360° endless
Pan Speed	0.1°/s ~ 240°/s - Preset speed: 300°/s
Tilt Range	-15° ~ 90° (auto reverse)
Tilt Speed	0.1°/s~160°/s - Preset speed: 240°/s
Number of Presets	256
Patrol	Preset patrol, route patrol, recorded patrol
Home Position	Supported
Drag-to-Zoom	Supported

Interface	
Audio I/O	3.5mm connector / 2/1 / Input: impedance 35kΩ; amplitude 2 V [p-p] / Output: impedance 600Ω; amplitude 2 V [p-p]
Serial Port	RS485
Network	10M/100M Base-TX Ethernet
Video Output	1 BNC, impedance 75 Ω; amplitude 1 V [p-p]

General	
Power **	24 V AC or 24V DC Power consumption: Max 47W
Dimensions (Ø x H)	8.9"x14.2"
Weight	11.9lb
Working Environment	-40°C ~ +70°C (-40°F ~ 158°F), Humidity ≤ 95% RH(non-condensing)
Ingress Protection	IP66

\*\* Supplied 24V AC power supply recommended and must be powered within a couple hundred feet using this AC voltage\*\*



Standard Wall mount

**Standard Mounts Included**



Standard Flush mount

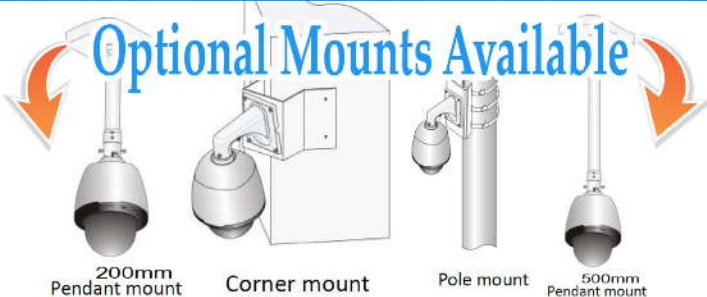
## Unequaled Product Testing

- ▶ QUALITY
- ▶ RELIABILITY
- ▶ DISTANCE
- ▶ ENVIRONMENT

**Customer Focused, Quality Driven!!**



Dealer Info



201 N. Elm St.  
Kemp, TX 75143



866-264-0041  
sales@envirocams.com

