

Any Weather / Long Distance / Plug-N-Play

SuperZoom-44

PTZ-DOME

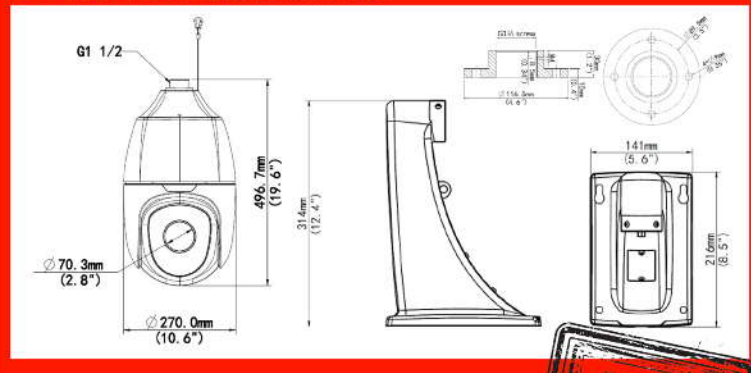


2MP IR/Starlight IP PTZ Camera with 44x Motorized Lens

Features

- 820 Feet Video/Audio over normal Cat5e (Exclusive Enviro Cams Extended Mode)
- Full 360° Pan, auto reversing Tilt, motorized 44x Zoom and 256 presets savable
- IP66 Weatherproof – Outdoor w/ EIS
- Wide Temperature Rating: -50° below to +158° F
- WDR (Sony's 120dB Wide Dynamic Range)
- Large 1/2.8" Progressive Scan CMOS Chip for better light gathering ability
- 2 Megapixel Resolution (1920x1080 max) – H.264/H.265/MJPEG options - Triple Stream capable
- Motorized 5-220mm Varifocal Auto-Focus 44x Optical Megapixel Zoom Lens
- Up to 820' Infrared Illumination with Intensity-Controlled Smart IR's
- Optical glass window with higher light transmittance
- Audio and Alarm Interfaces standard
- 24V AC 3amp power supply provided with every camera
- Optional Onboard Micro SD Card for stand-alone or POE loss Recording – with Automatic Download to NVR when POE is restored
- Long Arm Wall Mount and Flush Pendant Mount both provided standard

Dimensions



We guarantee at least 820' for Video & Audio



201 N. Elm St.
Kemp, TX 75143



866-264-0041
sales@envirocams.com

Not Your Father's IP Cameras

SuperZoom-44 Specifications



Camera	
Sensor	1/2.8", 2megapixel, progressive scan, CMOS
Lens	5 ~ 220mm (44x optical zoom)
Angle of View (H)	56.7° (wide) ~ 3.07° (tele)
Iris	Auto/Manual; F1.2 ~ F3.5
Shutter	Auto/Manual, 1/6s ~ 1/8000s
Min. Illumination	Colour: 0.002 Lux (F1.2 AGC ON, 50IRE) / 0 Lux with IR
Day/Night	IR-cut filter with auto switch (ICR)
S/N	>52dB
Defog	Optical Defog & Digital Defog
WDR	120 dB
Video	
Max. Resolution	1920x1080
Video Compression	H.265, H.264, MJPEG
Frame Rate	1080P (1920x1080):Max.60 fps; 720P (1280x720):Max.60 fps; D1 (720x576):Max.25 fps
Video Streaming	Triple
OSD	Up to 8 OSDs
Privacy Mask	Up to 4 areas
Digital Zoom	Supported
HLC	Supported
EIS	Supported
Smart	
Behavior Detection	Intrusion, crossing line, motion detection
Exception Detection	Audio Detection
Intelligent Identification	Face detection
Statistical Analysis	People counting
Audio	
Audio Compression	G.711
Two-way Audio	Supported
Storage	
Edge Storage	Micro SD, up to 128 GB
Network	
Protocols	L2TP, IPv4, IGMP, ICMP, ARP, TCP, UDP, DHCP, PPPoE, RTP, RTSP, RTCP, DNS, DDNS, NTP, FTP, UPnP, HTTP, HTTPS, SMTP, SIP, 802.1x
Compatible Integration	ONVIF,API

Structure	
Pan Range	360° endless
Pan Speed	0.1°/s ~ 240°/s - Preset speed: 300°/s
Tilt Range	-15° ~ 90° (auto reverse)
Tilt Speed	0.1°/s ~ 160°/s - Preset speed: 240°/s
Number of Presets	256
Patrol	Preset patrol, route patrol, recorded patrol
Home Position	Supported
Interface	
Audio I/O	3.5mm connector / 2/1 / Input: impedance 35kΩ; amplitude 2 V [p-p] / Output: impedance 600Ω; amplitude 2 V [p-p]
Serial Port	RS485
Network	10M/100M Base-TX Ethernet
Video Output	1 BNC, impedance 75 Ω; amplitude 1 V [p-p]
General	
Power **	24 V AC or 24V DC Power consumption: Max 56W
Dimensions (Ø x H)	10.6"x119.6"
Weight	21.5lb
Heat	Built-in Heater and Temp Control System
Working Environment	-50°C ~ +70°C (-50°F ~ 158°F), Humidity ≤ 95% RH(non-condensing)
Ingress Protection	IP66

** Supplied 24V AC power supply recommended and must be powered within a couple hundred feet using this AC voltage**

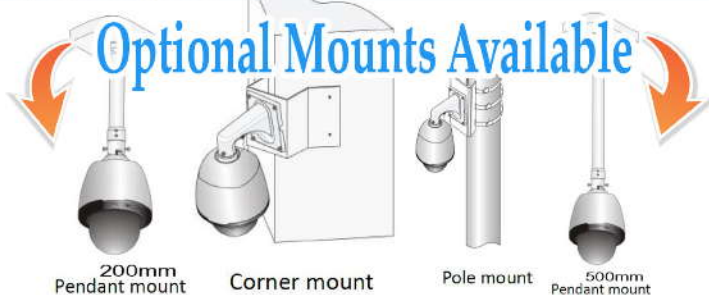


Standard Wall mount

Standard Mounts Included



Standard Flush mount



Unequaled Product Testing

- ▶ QUALITY
- ▶ RELIABILITY
- ▶ DISTANCE
- ▶ ENVIRONMENT

Customer Focused, Quality Driven!!



Dealer Info



201 N. Elm St.
Kemp, TX 75143



866-264-0041
sales@envirocams.com