

NVR 416 & 432

IP NVR



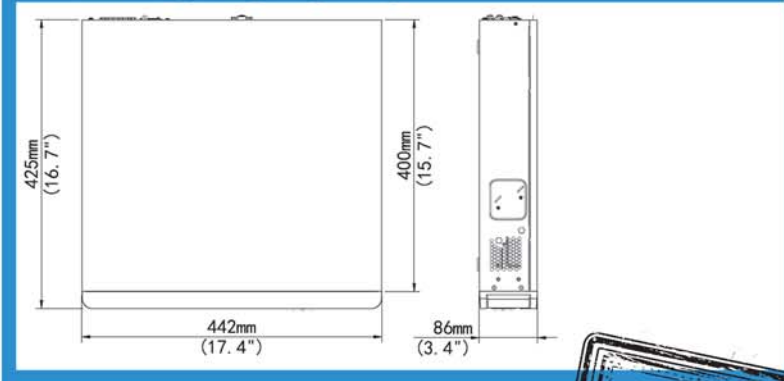
16 and 32 channel IP NVR w/ Built-in PoE

Features

- 820 Feet Video/Audio/Power over normal Cat5e (Exclusive Enviro Cams Extended Mode)
- Audio capabilities Built-In
- 16 and 32 channel inputs available
- Plug & Play with 16 independent PoE network interfaces (32ch will need secondary PoE switch for additional cameras)
- Third-party IP cameras supported with ONVIF conformance
- Support 2-ch HDMI, 1-ch VGA, HDMI at up to 4K(3840x2160) resolution
- Up to 12MP Resolution recording capable
- Support H.265/H.264 video formats
- 4 SATA HDDs up to 8TB for each HDD
- Accurate and instant live access of all cameras and retrieval of recorded footage for 16 cameras simultaneously

- Remote access capable for P2P, UPnP, NTP, DHCP and PPPoE
- VMS software provided along with unlimited access to smart device app (Droid and iPhone)
- 160-320Mbps incoming bandwidth available
- Alarm In and Out standard
- Unlimited Tech Support for the life of the system

Dimensions



We guarantee at least 820' for Power & Video



201 N. Elm St.
Kemp, TX 75143



866-264-0041
sales@envirocams.com

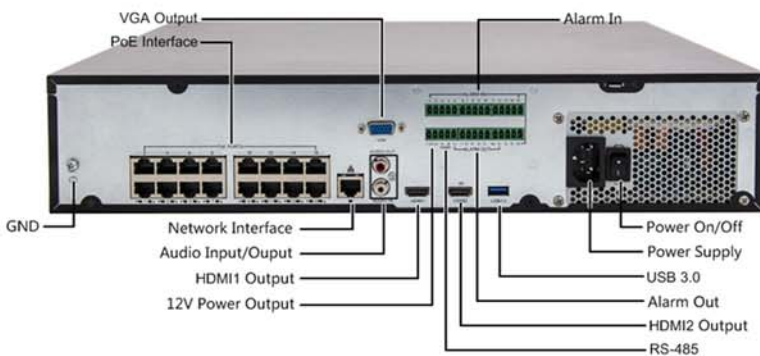
Not Your Father's IP Cameras

416 & 432 IP NVR Specifications



	EC-NVR416-P16	EC-NVR432-P16
Video/Audio Input		
IP Video Input	16 ch	32 ch
Two Way Audio Input	1 ch, RCA	
Network		
Incoming Bandwidth	160Mbps	320Mbps
Outgoing Bandwidth	320Mbps	
Remote Users	128 users (64 users can be logged in at one time)	
Video/Audio Output		
HDMI/VGA Output	HDMI1/VGA: 1920x1080p /60Hz, 1920x1080p /50Hz, 1600x1200 /60Hz, 1280x1024 /60Hz, 1280x720 /60Hz, 1024x768 /60Hz HDMI2: 4K (3840x2160) /60Hz, 4K (3840x2160) /30Hz, 1920x1080p /60Hz, 1920x1080p /50Hz, 1600x1200 /60Hz, 1280x1024 /60Hz, 1280x720 /60Hz, 1024x768 /60Hz	
Recording Resolution	12MP/8MP/6MP/5MP/4MP/3MP/1080p/960p/720p/D1/2CIF/CIF	
Audio Output	1 ch, RCA	
Synchronous Playback	16 ch	
Decoding		
Compression	H.265/H.264	
Live view / Playback	12MP/8MP/6MP/5MP/4MP/3MP/1080p/960p/720p/D1/2CIF/CIF	
Capability	3 x 12MP@25, 4 x 4K@30, 8 x 4MP@30, 16 x 1080p@30, 32 x 960p@25	
Hard Disk		
SATA	4 SATA interfaces	
Capacity	up to 8TB for each disk	
External Interface		
Network Interface	1 RJ-45 10M/100M self-adaptive Ethernet Interface	
Serial Interface	1 x RS485	
USB Interface	Front panel: 2 x USB2.0 Rear panel: 1 x USB3.0	
Alarm in	16 ch	
Alarm Out	4 ch	
Power Output	12V DC	
PoE		
Interface	16 independent 100 Mbps PoE network interfaces	
Max Power	Max 30W for single port Max 200W in total (12.5W for each)	
Supported Standard	IEEE 802.3at	
General		
Power Supply	100-240V AC	
Power Consumption of NVR w/o HDD	≤ 20 W	
Power Consumption of HDD	~ 5.5 W per 6Tb HDD	~ 6.5 W per 8Tb HDD
Working Temperature	-10°C ~ +55°C (+14°F ~ +131°F)	
Working Humidity	10% ~ 90%	
Dimensions	86 x 442 x 425mm (3.4" x 17.4" x 16.7")	
Weight w/o HDD	≤ 5.24 Kg (11.55 lb)	

Rear Panel



Unequaled Product Testing

- QUALITY
- RELIABILITY
- DISTANCE
- ENVIRONMENT

Customer Focused, Quality Driven!!



Dealer Info

201 N. Elm St.
Kemp, TX 75143



866-264-0041
sales@envirocams.com



Not Your Father's IP Cameras