



## Key Features



- High quality image with 2MP,1/2.8" CMOS sensor
- 1920\*1080@30fps in the main stream
- Ultra 265, H.265, H.264, MJPEG
- 25X optical zoom allows for closer viewing of subjects
- Smart intrusion prevention, support false alarm filtering, include Cross Line, Intrusion, Enter Area, Leave Area detection
- LightHunter technology ensures ultra-high image quality in low illumination environment
- Up to 120 dB Optical WDR (Wide Dynamic Range)
- DC12V or PoE+(IEEE 802.3at) power supply
- Audio 1 in and 1 out, Alarm 2 in and 1 out
- Micro SD, up to 256GB
- Smart IR, up to 150m (492 ft) IR distance
- IP66 ingress protection

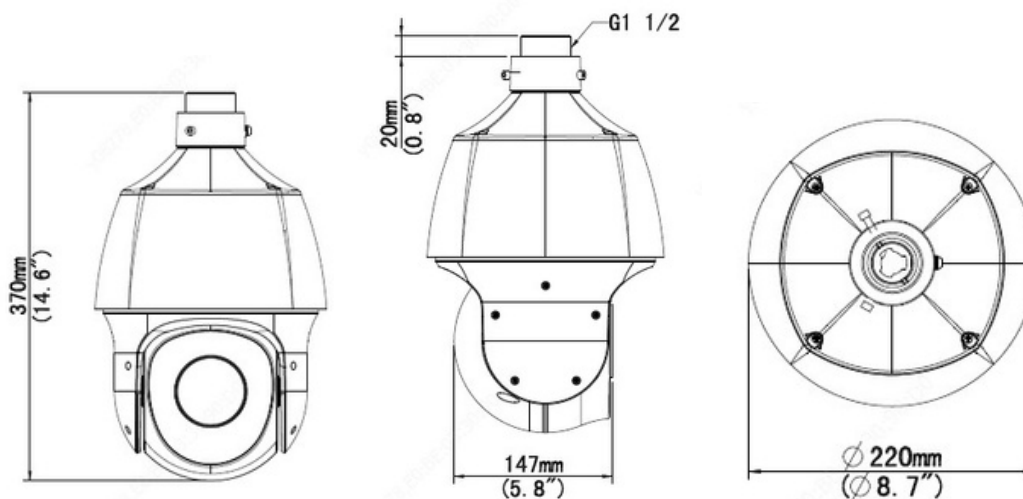
## Specifications

IPC6612SR-X25-VG					
<b>Camera</b>					
Sensor	1/2.8", 2.0 megapixel, progressive scan, CMOS				
Min. Illumination	Colour: 0.001 Lux (F1.5, AGC ON) 0 Lux with IR				
Day/Night	IR-cut filter with auto switch (ICR)				
Shutter	Auto, 1 ~ 1/100000s				
WDR	120dB				
S/N	>52dB				
<b>Lens</b>					
Lens type	5~ 125mm, AF automatic focusing and motorized zoom lens				
Optical Zoom	25 AutoI; F1.5 ~ F3.0 54.37° ~ 2.68° 32.23° ~ 1.51° 66.88° ~				
Iris	3.16°				
Field of View (H)					
Field of View (V)					
Field of View (D)					
<b>DORI</b>					
DORI Distance	Lens (mm)	Detect (m)	Observe (m)	Recognize (m)	Identify (m)
	5	85.3(280.0ft)	34.1(112.0ft)	17.1(56.0ft)	8.5(28.0ft)
	125	1706.9 (5600.1ft)	682.8(2240.0ft)	341.4(1120.0ft)	170.7(560.0ft)
<b>Illuminator</b>					
IR Range	Up to 150m (492 ft) IR range				
Wavelength	850nm				
IR On/Off Control	Auto/Manual				
<b>Video</b>					
Video Compression	Ultra 265, H.265, H.264, MJPEG				
Frame Rate	Main Stream: 2MP(1920*1080),Max 30fps; Sub Stream: 720P (1280*720), Max 30fps; Third Stream: D1 (720*576), Max 30fps;				
Video Bit Rate	128 Kbps~16 Mbps				
U-code	Support				
ROI	Up to 8 areas				
Video stream	Triple streams				
OSD	Up to 8 OSDs				
Privacy Mask	24 areas, up to 4 areas per scene				
<b>Image</b>					
White Balance	Auto/Outdoor/Fine Tune/Sodium Lamp/Locked/Auto2 2D/3D DNR Support				
Digital noise reduction	Normal/Flip Vertical/Flip Horizontal/180°/90°Clockwise/90°Anti-clockwise				
Smart IR	Support Support Digital Defog				
Flip					
HLC					
BLC					
Defog					
<b>Intelligent</b>					

Smart intrusion Prevention	Support false alarm filtering: Cross Line detection, Intrusion detection, Enter Area detection, Leave Area detection
<b>Events</b>	
Basic Detection	Motion detection, Audio detection, Tampering Alarm
Auto Tracking	Support
General Function	Watermark, IP Address Filtering, Alarm input, Alarm output, Access Policy, ARP Protection, RTSP Authentication, User Authentication
<b>Audio</b>	
Audio Compression	G.711U,G.711A
Audio Bitrate	64 Kbps
Two-way Audio	Support
Suppression	Support 8 kHz
Sampling Rate	
<b>Storage</b>	
Edge Storage	Micro SD, up to 256 GB
Network Storage	ANR,NAS(NFS)
<b>Network</b>	
Protocols	IPv4, IGMP, ICMP, ARP, TCP, UDP, DHCP, PPPoE, RTP, RTSP, RTCP, DNS, DDNS, NTP, FTP, UPnP, HTTP, HTTPS, SMTP, 802.1x, SNMP, QoS, RTMP,SSL/TLS
User/Host	Up to 32 users. 3 user levels: administrator, operator and common user
Security	Password protection, strong password, HTTPS encryption, Export operation logs, basic and digest authentication for RTSP, digest authentication for HTTP, TLS 1.2, WSSE and digest authentication for ONVIF
Client	EZStation EZLive EZView
Web Browser	Plug-in free live view: Chrome 57.0+, Firefox 58.0+, Edge 16+, Safari 11+ Plug-in required live view: IE 10 and above, Chrome 45 and above, Firefox 52 and above, Edge 79 and above
<b>Pan &amp; Tilt</b>	
Pan Range	360° (endless)
Pan Speed	2°/s ~ 75°/s Preset speed: 180°/s
Tilt Range	-15° ~ 90° (auto reverse)
Tilt Speed	2°/s ~ 75°/s Preset speed: 80°/s
Number of Presets	1024
Preset Patrol	16 patrols, up to 64 presets for each patrol
Route Patrol	16 patrols, up to 32 actions for each patrol
Recorded Patrol	16 patrols, up to 128 actions for each patrol
Patrol Stay Time	15s~1800s
Preset Image Freeze	Support
Home Position	Support
<b>Interface</b>	
Audio I/O	1/1 2/1
Alarm I/O	1 RS485
Serial Port	N/A
Built-in Mic	

Built-in Speaker	N/A N/A 1 * RJ45 10M/100M Base-TX
WIFI	Ethernet N/A
Network	
Video Output	
<b>Certification</b>	
EMC	CE-EMC (EN 55032:2015+A11:2020; EN IEC 61000-3-2:2019; EN 61000-3-3:2013+A1:2019; EN 55035:2017+A11:2020) FCC (FCC CFR 47 part15 B, ANSI C63.4-2014)
Safety	CE LVD (EN 62368-1:2014+A11:2017) CB (IEC 62368-1:2014) UL (UL 62368-1-14, 2nd Ed., Issue Date: 2014-12-01)
Environment	CE-ROHS (2011/65/EU;(EU)2015/863)
Protection	IP66 (IEC 60529:1989+AMD1:1999+AMD2:2013)
<b>General</b>	
Power	DC12V±10% , PoE+ (IEEE802.3 at) Power consumption: Max 25W Ø 5.5mm coaxial power plug Ø220 x 370mm (Ø8.7" x 14.6")
Power Interface	3.3kg(7.26lb) -40°C~65°C(-40°F ~ 149°F) , Humidity: ≤95% RH (non-
Dimensions (Ø x H)	condensing) -40°C~70°C(-40°F ~ 158°F) , Humidity: ≤95% RH (non-
Weight	condensing) 6KV Support
Working Environment	
Storage Environment	
Surge protection	
Reset button	

## Dimensions



## Accessories

Pendent Mount



Pendent Mount



Pendent Mount



Pendent Mount



Wall Mount



Wall Mount



Pole Mount



Corner Mount






Junction Box



Wall Mount



Pendent Mount	Pole Mount
	
Corner Mount	
	

Rugged-CCTV / EnviroCams.

201 N Elm St.

Kemp, TX 75143

866-264-0041

Email: [Sales@ruggedcams.com](mailto:Sales@ruggedcams.com); [sales@envirocams.com](mailto:sales@envirocams.com)

[RuggedCams.com](http://RuggedCams.com) / [EnviroCams.com](http://EnviroCams.com)

\*Product specifications and availability are subject to change without notice