



CAUTION

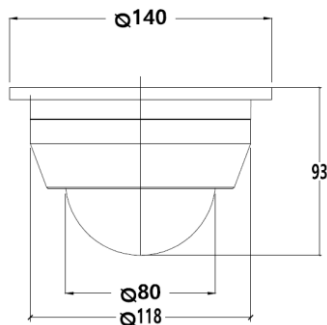
RISK OF ELECTRIC SHOCK
DO NOT OPEN



CAUTION : TO REDUCE THE RISK OF ELECTRIC SHOCK,
DO NOT REMOVE COVER
NOT USER SERVICEABLE PARTS INSIDE
REFER SERVICING TO QUALIFIED SERVICE PERSONNEL

Dimensions

Part name & Dimension



Accessories



Mounting screws



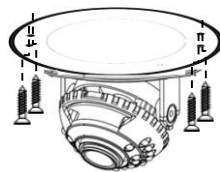
Block



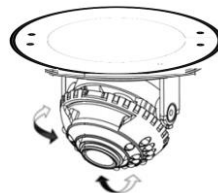
L-wrench

Installation

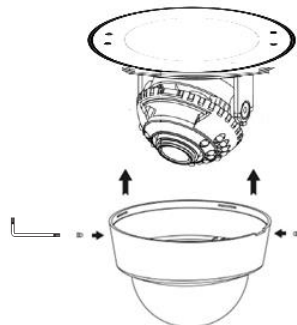
Step.1



Step.2



Step.3



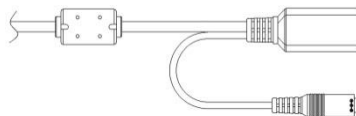
Please tighten up 2pcs of fixed screws by L-wrench after closing dome cover.

CAUTION!

Ensure that the fixing screws, and grub screws are fully fastened to maintain the housings water ingress rating.

Product warranty will be null and void if not secured correctly.

Cable



IP LAN CABLE

DC 12V

Features

- 1/2.8" Sony 2MP STARVIS image sensor
- Max. 30fps/Full HD (1920x1080) Resolution
- Triple codec(H.265, H.264, MJPEG)
- 2.8~12mm motorized megapixel lens
- 24pcs of IR LEDs
- Real-WDR(Wide Dynamic Range) / 3D DNR (Digital Noise Reduction)
- 3-axis gimbal bracket
- Weatherproof / IP 67 compliant
- PoE (IEEE802.3af)
- ONVIF Ver22.06 Compliant
- NDAA compliant

Specifications

Image Sensor	1/2.8" Sony 2MP STARVIS image sensor
Scan System	Progressive Scan
Total Pixels	1945(H) x 1109(V), 2.16 Mega Pixels
Effective Pixels	1945(H) x 1097(V), 2.13 Mega Pixels
Day & Night	Auto / Day(Color) / Night(BW), ICR Control
Privacy Area	On / Off (16 Programmable Zones)
Motion Detection	432 Zone, Sensitivity 1 ~ 5 Step, On / Off
W D R	Real WDR On(Adjust) / Off
D N R	3DNR, On(Adjust) / Off
Elec. Shutter	Auto(1/30~1/15000), Suppress Rolling, Manual
Color adjust	Bright / Contrast / Saturation / Sharp / Hue
White Balance	Auto / Indoor / Outdoor / Fluorescent / User
OSD Display	Text, Date, Time, Event, On / Off
Image Mirror	Normal / Mirror(H) / flip(V) / Both(HV)
Video Quality	H.265 : Bitrate Control / H.264 : Bitrate Control MJPEG : Quality Level Control
Resolution	1920x1080/1280x960/1280x720 /640x480/640x360/320x240
Max. Frame Rate	30fps @all resolution
Onvif	ONVIF Ver19.12
Protocol	TCP/IP,UDP/IP,RTSP,RTCP,NTP, HTTP,DHCP,FTP,SMTP,DNS,DDNS
Power Supply	PoE, DC12[V] ± 10%
Operating Temp	0°C ~ +50°C
Preservation Temp	-10°C ~ +60°C
Humidity	0% ~ 90%
Lens	2.8~12mm motorized MP lens
Dimension/mm	140(W) X 93(H), Dome Φ80
Weight/g	Approx. 1700